

KIT CONTENTS			
ITEM	BASIC NO.	REQD.	PART NAME
1	9932222	1	RAIL-BODY SIDE TOP R.H.
2	9932222	1	RAIL-BODY SIDE TOP L.H.
3	9932240	2	SUPPORT - BODY SIDE TOP RAIL END R.H.
4	9932241	2	SUPPORT - BODY SIDE TOP RAIL END L.H.
5	99643A00	2	TAG ASSY.-LOAD RESTRAINER INSTRUCTIONS
6	9932224	2	SUPPORT - BODY SIDE TOP RAIL CTR.
7		8	SCREW - #10 - 24 X .44 PAN HD.
8	99643A02	8	NUT - LOAD RESTRAINER RETAINER
9	99643A04	8	SPACER - LOAD RESTRAINER RETAINER
10	99642A98	8	RETAINER - LOAD RESTRAINER
11	9932254	6	PLATE ASSY.- BODY SIDE TOP RAIL SUPPORT
12	9932242	2	PAD - BODY SIDE TOP RAIL END R.H.
13	9932242	2	PAD - BODY SIDE TOP RAIL END L.H.
14	9932244	2	PAD - BODY SIDE TOP RAIL CTR.
15		2	BOLT & WASHER ASSEMBLY - 5/16-18 X 1-3/8 HEX. HD. (GRADE 5)
16		4	SCREW - 5/16-18 X 1-1/2 OVAL HD. C.R. (STAINLESS STEEL)
17	9932250	2	COVER - BODY SIDE TOP RAIL SUPPORT CTR.
18		2	SCREW - #8-32 X 1.50 OVAL HD. TAPPING (STAINLESS STEEL)

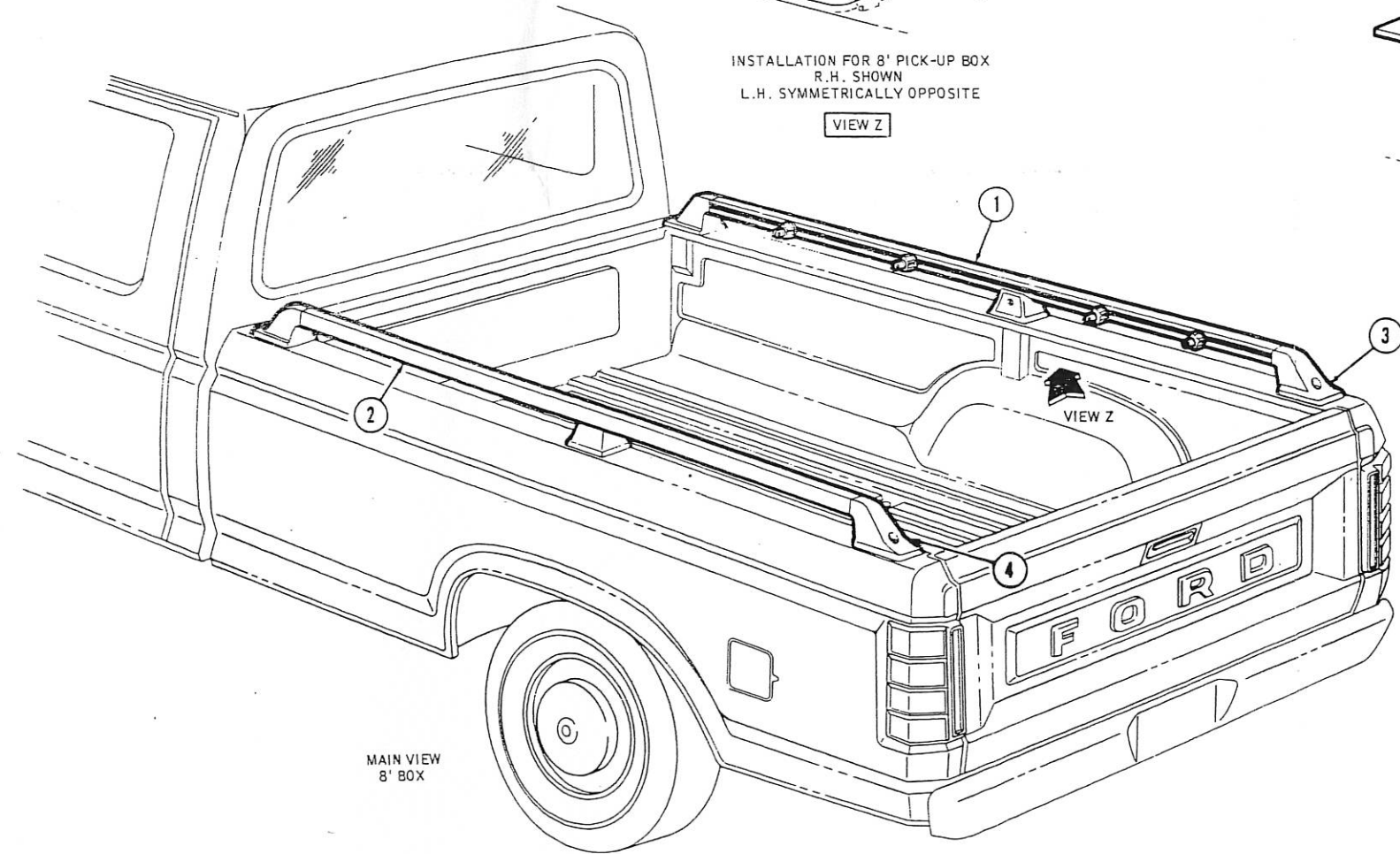
INSTALLATION INSTRUCTIONS

1. ASSEMBLE NUTS (8), SPACERS (9), RETAINERS (10), AND SUPPORTS (3), (4), & (6) TO RAIL (1) AND (2) USING SCREWS (7).
2. PLACE PADS (12), (13), & (14), AND PLATES (11) IN STAKE POCKETS.
3. PLACE RAIL ASSYS. ON PADS AND TIGHTEN SCREWS (16) AND BOLTS (15) TO 8.5-11 LB. FT.
4. REPEAT FOR OPPOSITE SIDE TO COMPLETE INSTALLATION.

CAUTION: USE NYLON TIE-DOWNS TO ATTACH LIGHT LOADS ONLY. NOT TO EXCEED 30 LBS. FORE & AFT PULL PER EYELET. (SEE DECAL)

INSTALLATION FOR 8' PICK-UP BOX
R.H. SHOWN
L.H. SYMMETRICALLY OPPOSITE

VIEW Z



MAIN VIEW
8' BOX



COPYRIGHT © 1979 FORD MOTOR COMPANY
DEARBORN, MICHIGAN

TRUCK F-100 - F-350 PICKUP

IS-4831	SHEET 1 OF 1
INSTALLATION — KIT — RAIL BODYSIDE TOP 8' STYLESIDE PICKUP BOX	